

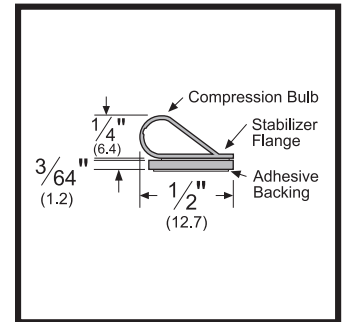


ASSA ABLOY

# HSS2000xS88

## SILICONSEAL™

Adhesive Gasketing - Tested and Classified for Fire and Smoke



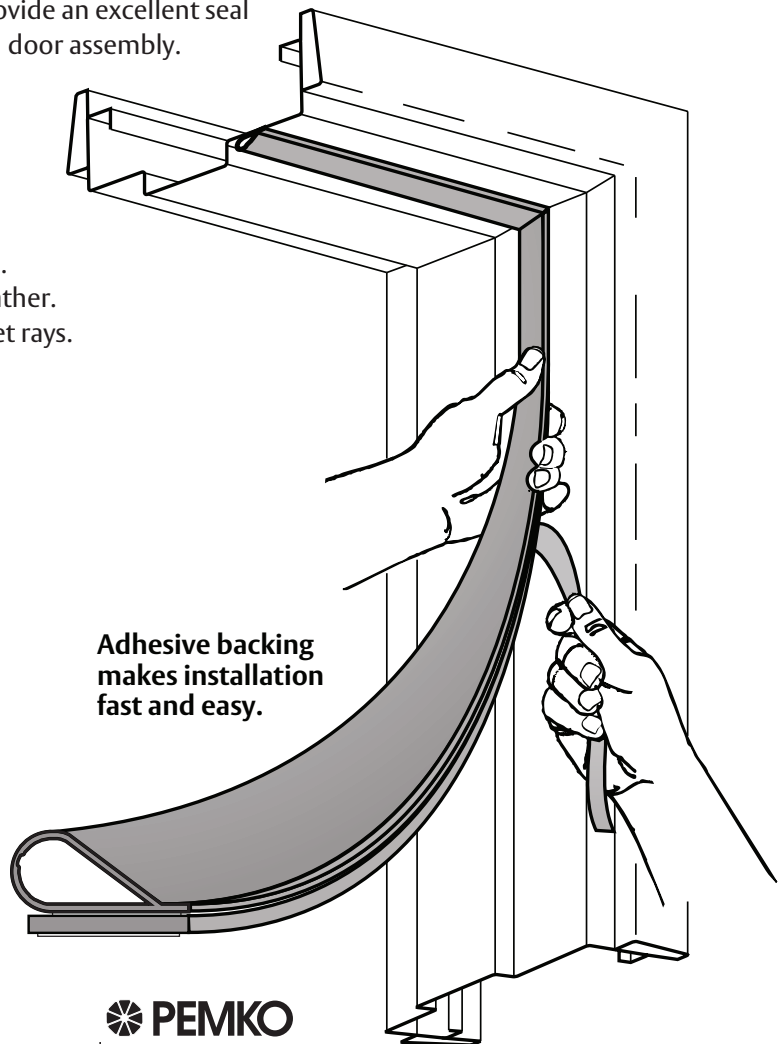
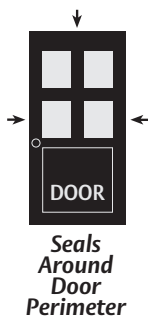
### About Edge Seals:

Edge Seals are Category G materials that have demonstrated their ability to assist the door in meeting the positive pressure fire test requirements. Category G materials are necessary for use with Category B Door assemblies. Category G Edge Seals may also need a Category H Smoke Seal for a complete fire and smoke assembly.

### About Fire & Smoke Combination Gasketing:

These combination fire and smoke gaskets provide an excellent seal against fire and smoke transfer around a rated door assembly. These products meet the requirements of Category G and H seals.

- Adhesive backed.
- High temperature silicone.
- Self-extinguishing and non-toxic.
- Longest-lasting commercial grade door seal.
- Seals against smoke, fire, air, sound and weather.
- Unaffected by sunlight, ozone and ultraviolet rays.
- Impervious to fungus and mildew.



### Product / Available Finishes:

- HSS2000xS88BL Black Silicone/Graphite
- HSS2000xS88C Clear Silicone/Graphite
- HSS2000xS88D Dark Bronze Silicone/Graphite
- HSS2000xS88TAN Tan Silicone/Graphite
- HSS2000xS88W White Silicone/Graphite

### Testing/Ratings:



### Tools Required:



**UNITED STATES:**  
 VENTURA, CA  
 Ph: 800.283.9988  
 Fax: 800.283.4050  
 MEMPHIS, TN  
 Ph: 800.824.3018  
 Fax: 800.243.3656

**CANADA:**  
 VANCOUVER, BC  
 Ph: 877.535.7888  
 Fax: 877.535.7444  
 TORONTO, ON  
 Ph: 866.243.9816  
 Fax: 866.243.9817

[www.pemko.com](http://www.pemko.com)

© 2007 Pemko Manufacturing Co.  
HSS2000xS88\_WEBINS  
Rev 1 - 07.01.07

## Read Before Installation:



### Read before installation! Failure to do so may result in improper adhesion.

**Storage and shelf life:** All adhesive gaskets have a limited shelf life. This product must be used within 6 months of purchase and must be stored between 50°F and 100°F.

**Before installing:** Thoroughly clean the frame with the enclosed cleansing towelette to remove grease, dust or cleanser build-up. Before installation, wait for frame surface to completely dry (evaporate). Some hospital environments have wax or anti-bacterial cleanser build-up. As an alternative or substitute cleanser, use isopropyl (rubbing) alcohol. Note: Mineral spirits or other petroleum based cleaning products should NOT be used.

**Application temperature:** If frames are too cold (below 50°F) or too hot (above 100°F) adhesion may be impaired.

#### When to install:

- Installation should take place after construction is completed, flooring is installed and final cleaning is completed.
- Paint on frame must be cured for at least 5-7 days. Paint cannot be wet under dry surface when gaskets are pressed on. Avoid quick-dry primers, which leave a powdery surface preventing sufficient adhesion. When applying to a wood frame, the surface must be non-porous and sealed. Follow standard industry guidelines on sealed wood frames and/or rough surface before applying. Note: Anti-bacterial, anti-fungal or silicone additives in paint may inhibit adhesion.

#### Application tips and warnings:

- Do NOT stretch material. Product can retract or shrink if stretched.
- Use very firm, perpendicular pressure when applying. Use wallpaper seam roller to reinforce adhesion after applying.
- Do not stretch material when using seam roller. Run roller with up and down motions.
- Double check adhesion after 2-3 hours before leaving job overnight.
- If gasket separates from frame, press again with firm pressure in place. If adhesive strip is exposed, airborne dust may impede adhesion. Replacement may be necessary.
- Application at header can be awkward due to overhead condition. Be sure to apply enough pressure.

**NOTE:** Adhesion takes delayed set. Immediate removal and resetting can be done if error occurs in initial placement. DO NOT reset after one hour. Full set is reached in 24 hours.

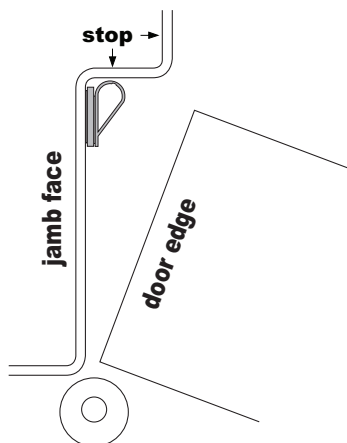
## Installation Instructions:



1. Pre-cut the hinge jamb, strike jamb and header pieces to fit before installing. Do not install as one continuous piece - cut adhesive gasketing at a 45° angle at the corners where the top and sides meet.
2. Remove approximately 24" (61 cm) of backing from the adhesive gasketing strip. Be careful not to touch adhesive or drag the adhesive on ground.
3. Position the adhesive gasketing as illustrated on the lower left. DO NOT STRETCH MATERIAL. The use of a hand roller is highly recommended.
4. Remove the next 24" (61 cm) of paper backing and repeat (2.) until the entire length for a top or side is installed. If a pre-cut length overruns a top or side, stretching has occurred. Immediately remove and reset.
5. Once installed, apply firm pressure along the entire surface of the product to ensure proper adhesion to the frame!

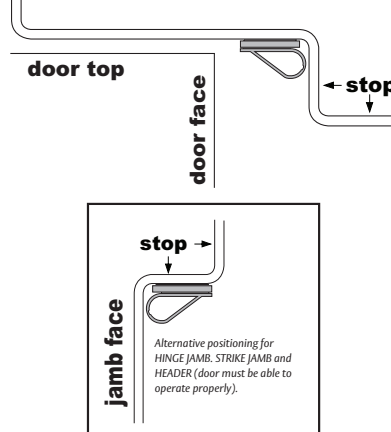
### HINGE JAMB

Application is acceptable anywhere along jamb face (door must be able to operate properly).



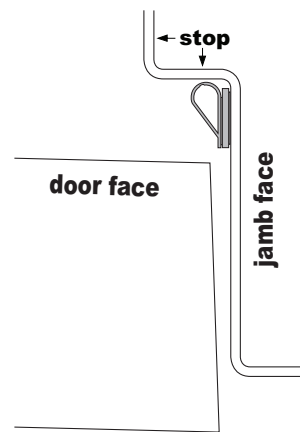
### HEADER

Application is acceptable anywhere along jamb face (door must be able to operate properly).



### STRIKE JAMB

Application is acceptable anywhere along jamb face (door must be able to operate properly).



[www.pemko.com](http://www.pemko.com)

© 2007 Pemko Manufacturing Co.  
HSS2000xS88\_WEBINS  
Rev 1 - 07.01.07