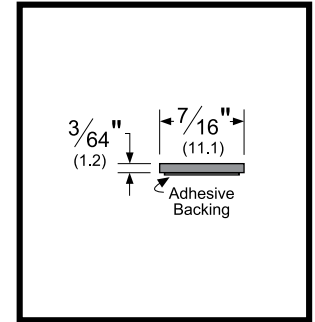


# HOT SMOKE SEAL™

Edge Sealing - Tested and Classified for Fire



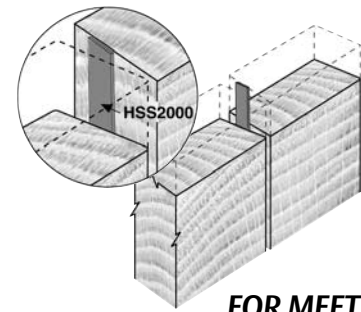
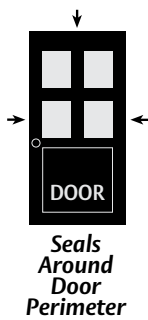
**About Edge Seals:**

Edge Seals are Category G materials that have demonstrated their ability to assist the door in meeting the positive pressure fire test requirements. Category G materials are necessary for use with Category B Door assemblies. Category G Edge Seals may also need a Category H Smoke Seal for a complete fire and smoke assembly.

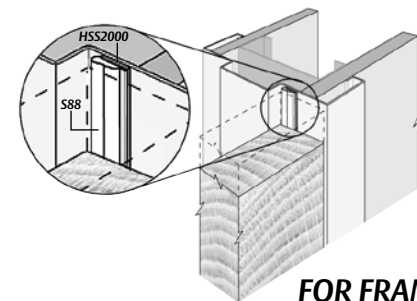
**About Fire Seals:**

Pemko fire seals are tested to the requirement of UL10B, UL10C and BS476. These products carry a Category "G" rating for application to Category "B" door assemblies.

- Adhesive backed intumescent.
- Care must be taken to maintain clearance requirements of NFPA 80.
- Pemko's intumescent edge seal can now be used on a wide range of 20, 45, 90 and 180 minute rated door and frame applications.
- Helps prevent penetration of life threatening hot smoke and hot gasses by expanding and filling the gap between a pair of doors or around the perimeter of the door (depending on if used as meeting stile or door frame application).
- Activation takes place without noxious fumes or smoke being given off.
- Chemically inert.
- Carbon dioxide and erosion-resistant.
- Highly stable.
- Moisture-resistant.
- Can be painted to match door.



**FOR MEETING STILE APPLICATIONS**



**FOR FRAME APPLICATIONS**

**Product / Available Finishes:**

- HSS2000 Graphite
- HSS2000W White/Graphite

**Testing/Ratings:**



Miscellaneous Fire Door Accessory



Cladding materials for doors and frames intended for application on listed fire door frames used with steel doors rated up to and including 3 h, wood composite doors rated up to and including 1-1/2 h, and wood core fire doors rated up to 20 min without hose stream.

**Tools Required:**

Sharp knife or scissors.



ASSA ABLOY, the global leader in door opening solutions

**UNITED STATES:**

MEMPHIS, TN  
Ph: 800.824.3018  
Fax: 800.243.3656

VENTURA, CA  
Ph: 800.283.9988  
Fax: 800.283.4050

**CANADA:**

VANCOUVER, BC  
Ph: 877.535.7888  
Fax: 877.535.7444

TORONTO, ON  
Ph: 866.243.9816  
Fax: 866.243.9817

[www.pemko.com](http://www.pemko.com)

## Read Before Installation:



### Read before installation! Failure to do so may result in improper adhesion.

**Storage and shelf life:** All adhesive gaskets have a limited shelf life. This product must be used within 6 months of purchase and must be stored between 50°F and 100°F.

**Before installing:** Thoroughly clean the frame with the enclosed cleansing towelette to remove grease, dust or cleanser build-up. Before installation, wait for frame surface to completely dry (evaporate). Some hospital environments have wax or anti-bacterial cleanser build-up. As an alternative or substitute cleanser, use isopropyl (rubbing) alcohol. Note: Mineral spirits or other petroleum based cleaning products should NOT be used.

**Application temperature:** If frames are too cold (below 50°F) or too hot (above 100°F) adhesion may be impaired.

#### When to install:

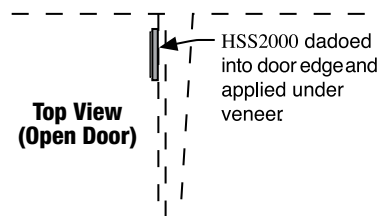
- Installation should take place after construction is completed, flooring is installed and final cleaning is completed.
- Paint on frame must be cured for at least 5-7 days. Paint cannot be wet under dry surface when gaskets are pressed on. Avoid quick-dry primers, which leave a powdery surface preventing sufficient adhesion. When applying to a wood frame, the surface must be non-porous and sealed. Follow standard industry guidelines on sealed wood frames and/or rough surface before applying. Note: Anti-bacterial, anti-fungal or silicone additives in paint may inhibit adhesion.

#### Application tips and warnings:

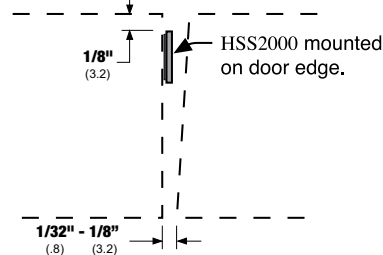
- Do NOT stretch material. Product can retract or shrink if stretched.
- Use very firm, perpendicular pressure when applying. Use wallpaper seam roller to reinforce adhesion after applying.
- Do not stretch material when using seam roller. Run roller with up and down motions.
- Double check adhesion after 2-3 hours before leaving job overnight.
- If gasket separates from frame, press again with firm pressure in place. If adhesive strip is exposed, airborne dust may impede adhesion. Replacement may be necessary.
- Application at header can be awkward due to overhead condition. Be sure to apply enough pressure.

**NOTE:** Adhesion takes delayed set. Immediate removal and resetting can be done if error occurs in initial placement. DO NOT reset after one hour. Full set is reached in 24 hours.

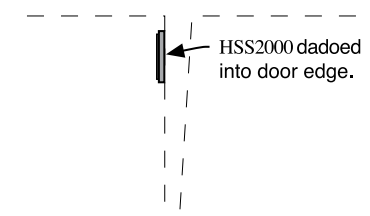
#### HSS2000 dadoed in edge of door under veneer



#### HSS2000 surface applied to door edge at meeting stile



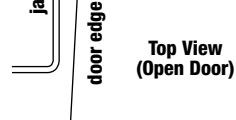
#### HSS2000 dadoed in edge of the door



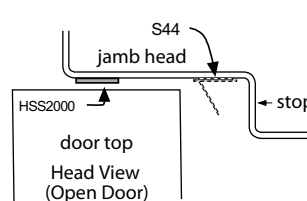
#### HSS2000 on Frame with Beveled Edge Door

On beveled edges, install HSS2000 (& S44 when required) on jamb at position shown.

HSS2000 mounted on jamb with S44 directly on top.

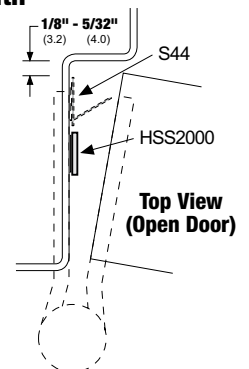


#### HSS2000 Mounted on the Top Edge of the Door at the Door Jamb Head



#### HSS2000 on Frame with Square Edge Door

On square edges, install HSS2000 (& S44, when required) on jamb at positions shown.



[www.pemko.com](http://www.pemko.com)

© 2010 Pemko Manufacturing Co.  
HSS2000\_WEBINS  
Rev 2 - 11.09.10