

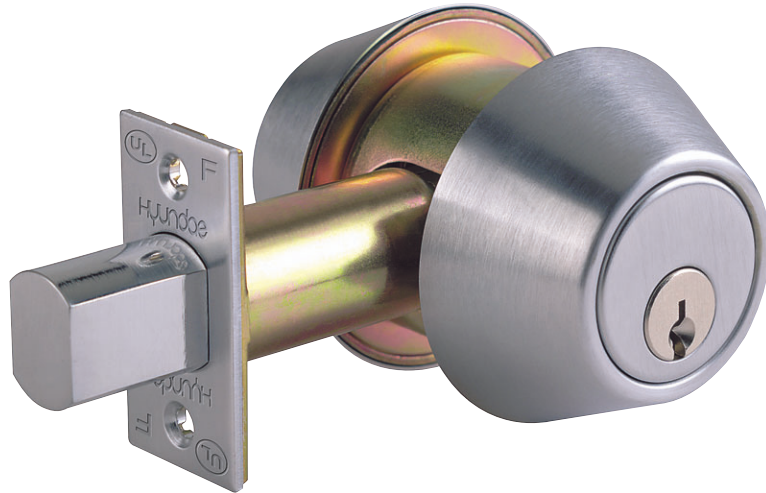
Deadbolt Series

An innovative new lockset.

Hyundai Metal is well known worldwide as a manufacturer of quality Door Locks.

Hyundai

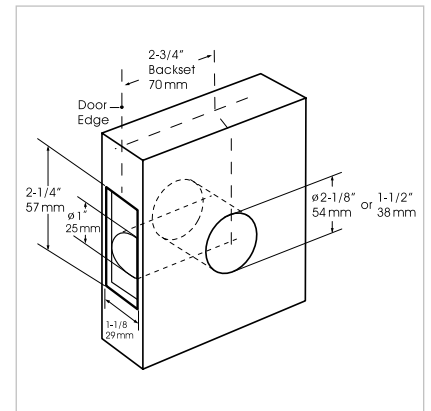
Hyundai's 250-series is the new industry-leading product. Designed to meet the demands of the toughest commercial applications, this series is also recommended for residential use. ANSI A156.5 Grade 2.



HL - 250 DBL SCR

Door Preparation

If weather-stripping, acoustical materials or silencers are used on the door or frame, care must be taken in the installation so that it will not interfere with the ease in which the deadbolt enters the strike.

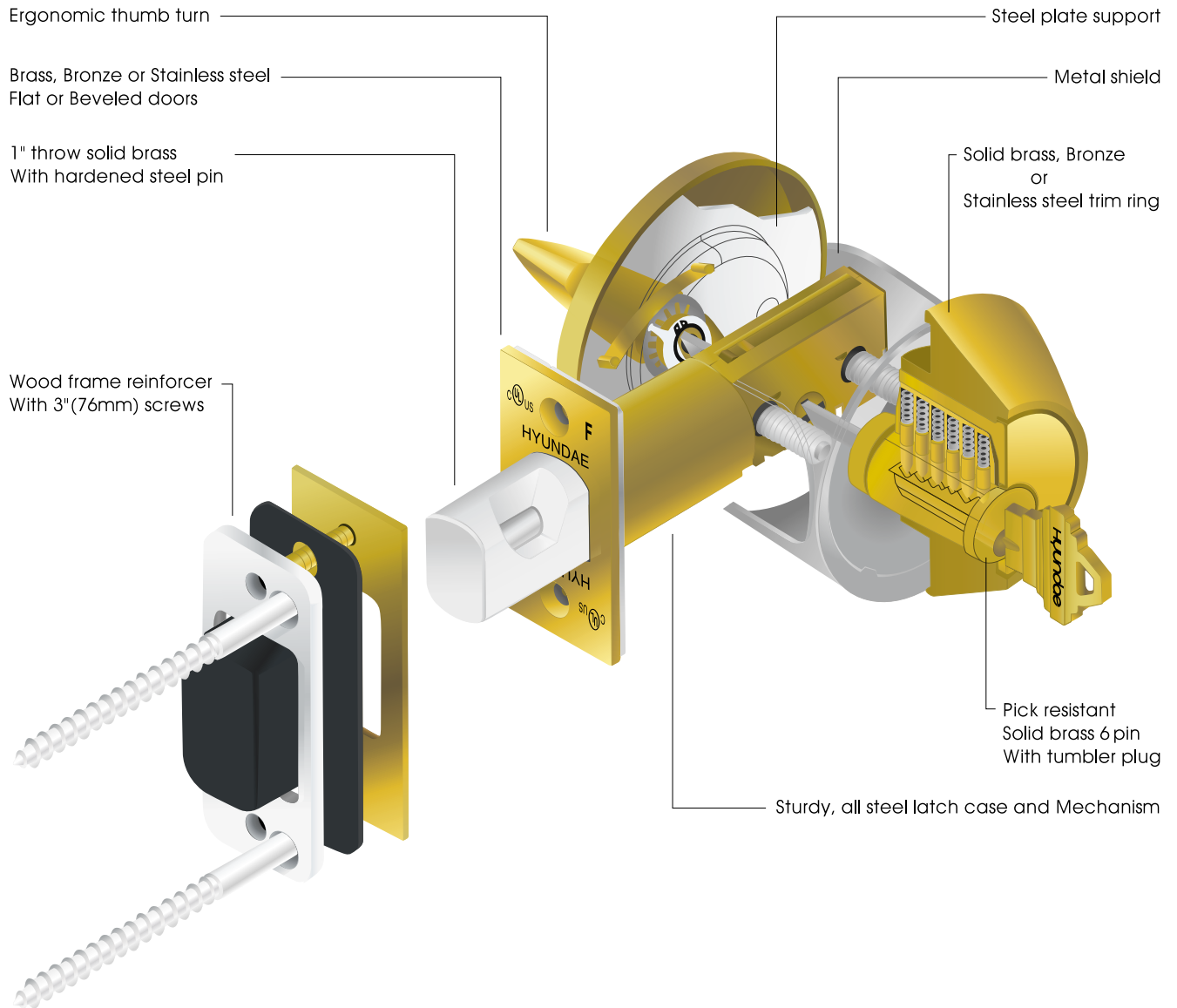


Type 250 cutout × D/B strike

Specifications

Applications	For commercial, institutional, industrial and residential uses
Handing	Non-handed
For Doors	1 ³ / ₈ " to 1 ³ / ₄ " (35mm to 45mm) standard. 1 ³ / ₄ " to 2 ¹ / ₄ " (45mm to 58mm) optional Consult factory for other door ranges
Backset	2 ³ / ₄ " (70mm) standard. 2 ³ / ₈ " (60mm) optional
Front	Brass, Bronze or Stainless steel ; 2 ¹ / ₄ " × 1 ¹ / ₈ " Adjustable for Flat or Beveled doors 1 ¹ / ₈ " in 2"
Strike	Brass, Bronze or Stainless steel ; D/B strike standard D/B Radius, IC D/B, Small D/B strikes optional
Deadbolt	Solid brass with hardened steel pin insert, 1" throw
Keys	Two, Brass
Cylinder	Brass, Schlage 6 pin keyway standard Weiser, Arrow, Lockwood C 4, Kwikset optional
Masterkeying	Can be masterkeyed or grand masterkeyed. Construction key system available
Finishes (US Code)	3, 4, 5A, 10, 10B, 11, 15, 15A, 19, 26, 26D, 32D, 32
Split Finishes	Outside finish specified first. Front & Strike finished to match inside trim unless otherwise specified
UL / cUL	Listed for use on fire doors (3 Hour Rated)

Cutaway View



Performance Features

1" solid brass with hardened steel pin resists sawing and kick-in attacks.

Exclusive wood frame reinforcer protects wood jamb against kick-in attacks. The reinforcer is concealed under the strike and is anchored to the jamb by two 3" (76mm) screws.

Rotating deadbolt trim ring of solid brass, bronze or stainless steel resists wrenching or prying of the cylinder unit.

Large inside thumb turn makes it easy to throw and retract the deadbolt.

Metal shield protects bolt from attack through the door.

Deadbolt Series Medium-duty

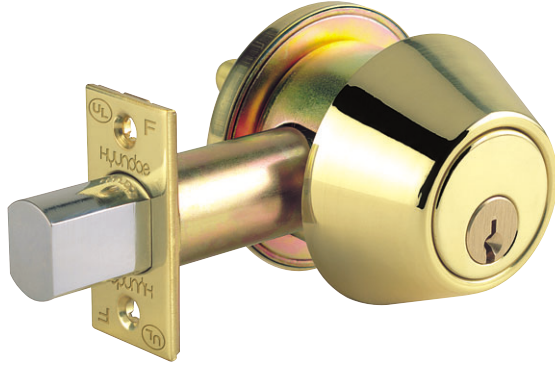
Commercial & Residential Security Deadbolts



ANSI GRADE 2 LISTED

Functions

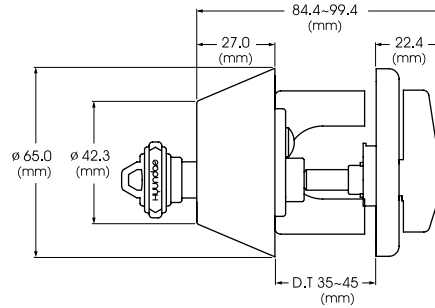
HL - 250 SGL PB



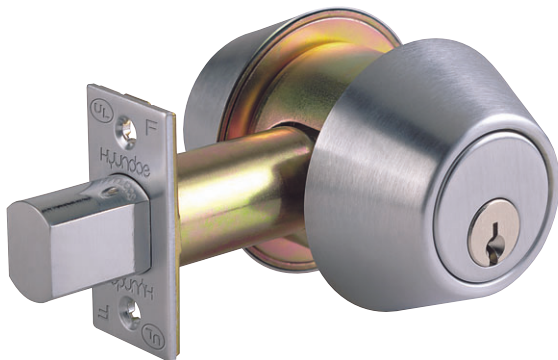
Single - Deadbolt by key from outside and by thumb turn from inside.
Classroom - Deadbolt by key from outside.
Inside thumb turn retracts bolt, but will not throw it.

Dimensions

Single / Classroom

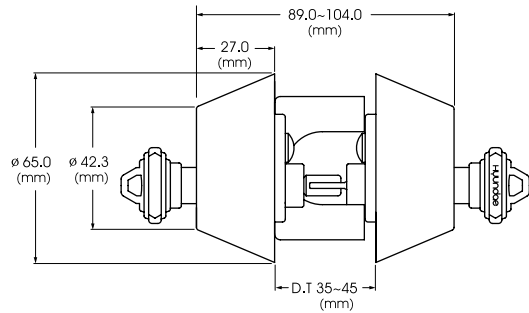


HL - 250 DBL SCR



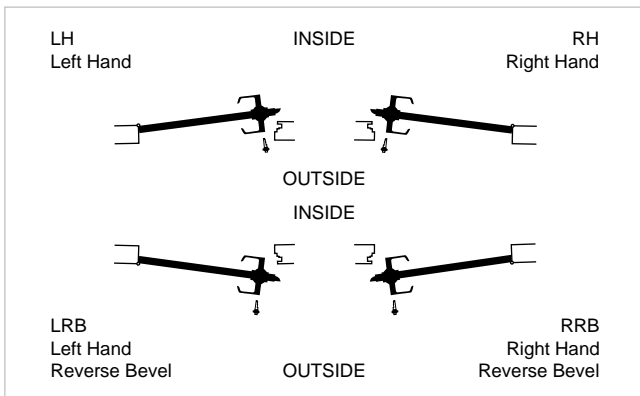
Double - Deadbolt by key either side.
Use only on rooms with more than one exit.

Double

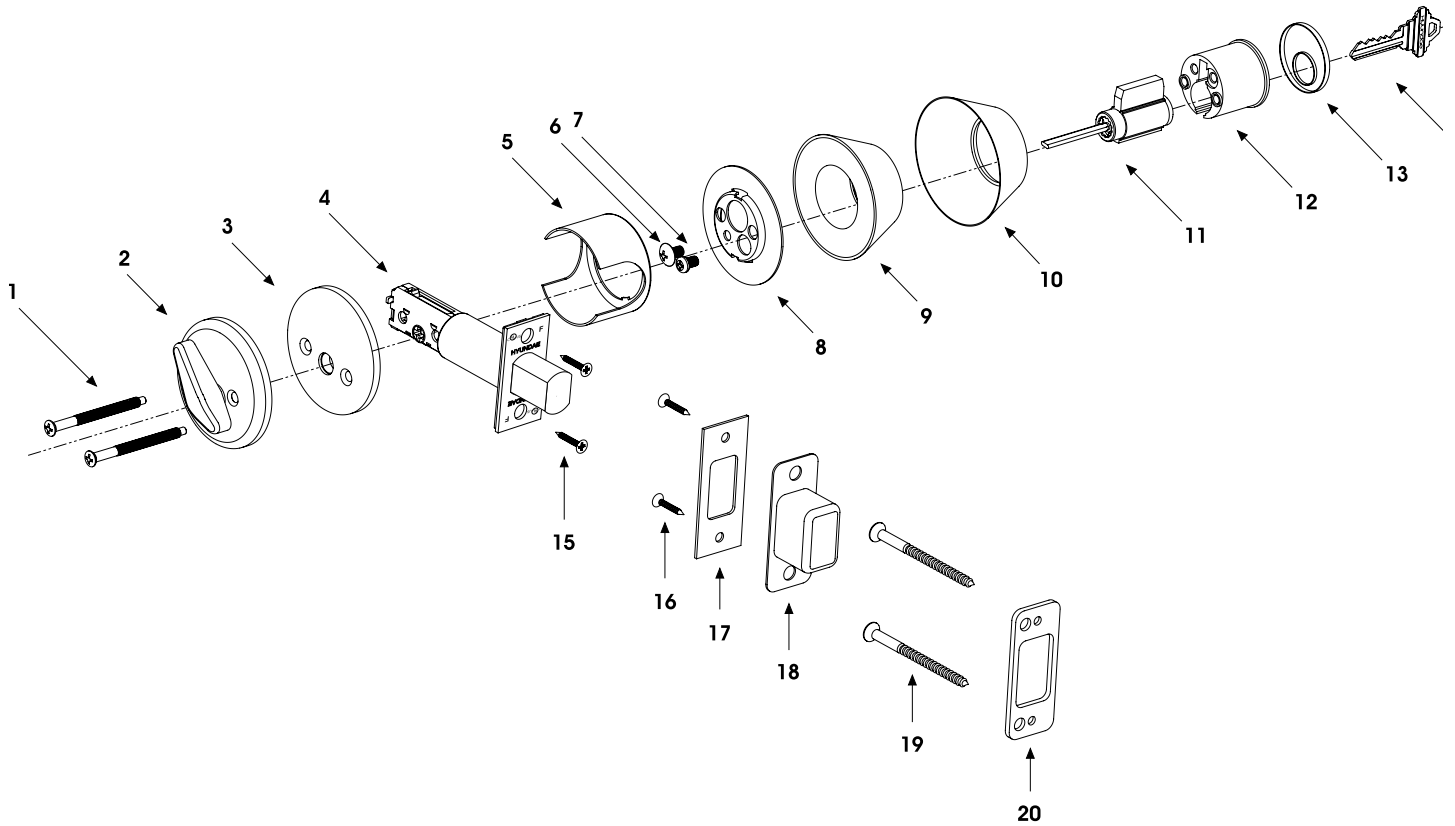


Door Handing

Hand information is necessary to ensure proper finish of latchbolt and strike for locks ordered that are to be installed on reverse bevel doors. Follow the diagram to correctly determine the hand of the door.



Exploded View Drawing



Parts List

- | | |
|--------------------------|-----------------------------------|
| 1 - Body Screws | 11 - Key Cylinder |
| 2 - Plate (In) | 12 - Key Cylinder Case |
| 3 - Plate Support | 13 - Cover |
| 4 - Deadbolt Latch | 14 - Key |
| 5 - Metal Shield | 15 - Deadbolt Screws |
| 6 - Mounting Plate Screw | 16 - Strike Screws |
| 7 - Key Cylinder Screw | 17 - Strike |
| 8 - Mounting Plate | 18 - Dust Box |
| 9 - Cover Support | 19 - Wood Frame Reinforcer Screws |
| 10 - Cylinder Cover | 20 - Wood Frame Reinforcer |

Deadbolt Series Medium-duty

Commercial & Residential Security Deadbolts



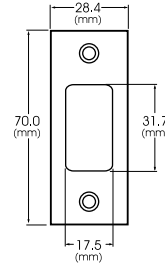
Latches

To order latches separately, specify Part No. x Finish

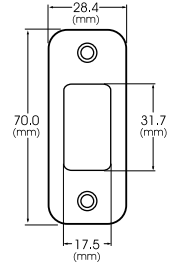
Backset	Descriptions (Square Corner standard)	Part Number
2 ³ / ₈ " (60mm)	1 ¹ / ₈ " (29mm) × 2 ¹ / ₄ " (57mm)	WD / 60
2 ³ / ₄ " (70mm)	1 ¹ / ₈ " (29mm) × 2 ¹ / ₄ " (57mm)	WD / 70
Round Corner Latches optional		

Strikes

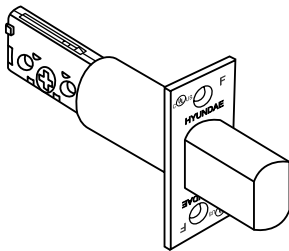
No. D/B strike (standard)



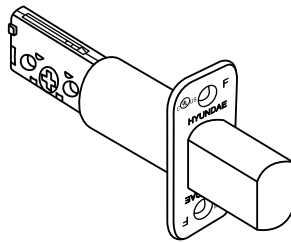
No. D/B Radius strike



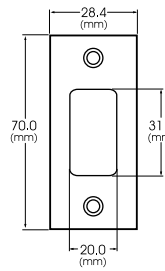
Square Corner Deadbolt



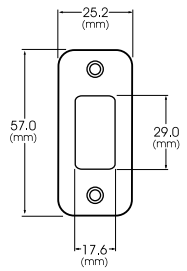
Round Corner Deadbolt



No. IC D/B strike

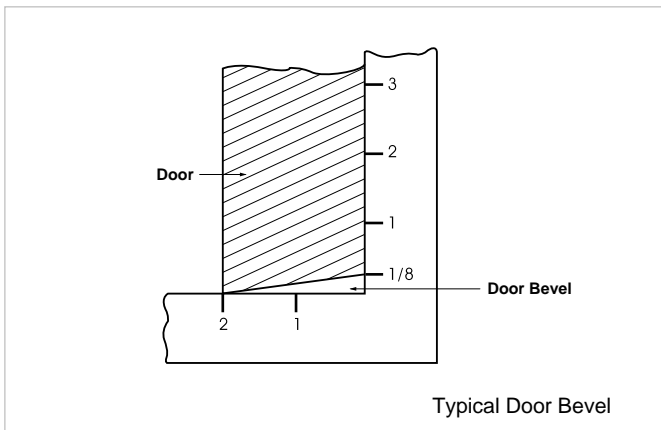


No. Small D/B strike

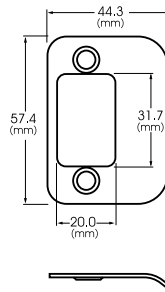


Door Bevel

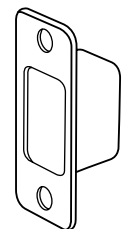
The edge of a door is beveled on the side opposite the hinges to provide clearance for the swing of a snug fit. The standard bevel is 1/8" for each 2" of door thickness.



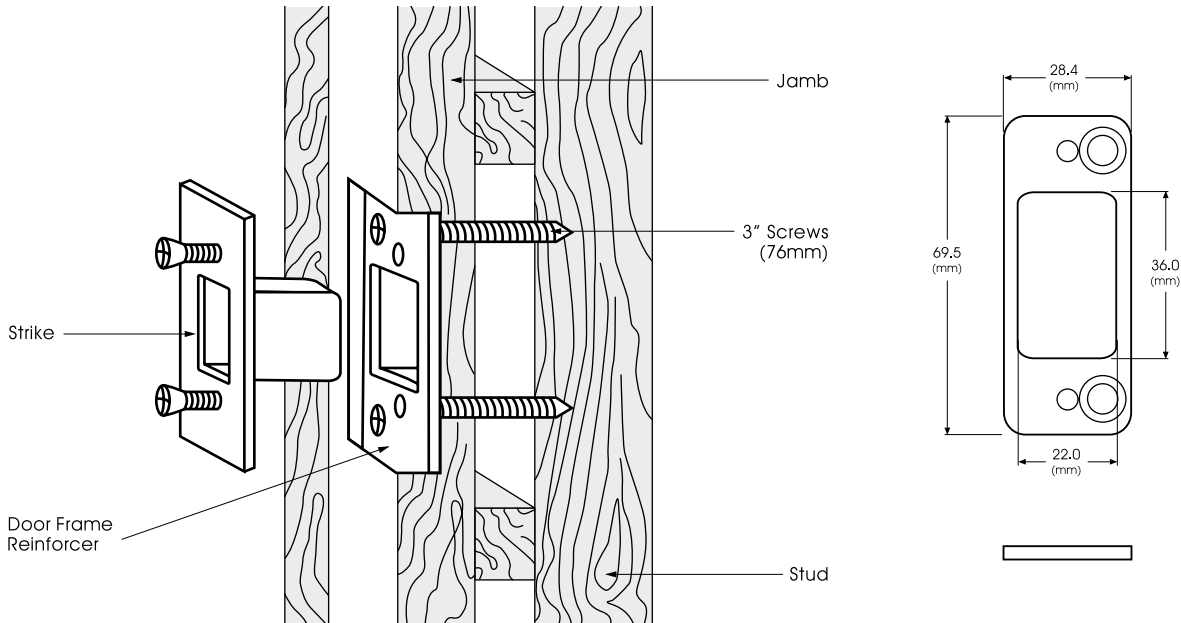
No. U204 Full-lip Strike



Dust Box



Wood Frame Reinforcer



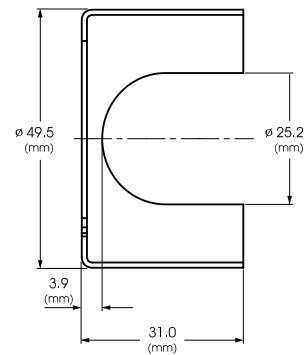
The HL - 250 series deadbolt locks are furnished standard with the wood frame reinforcer.

This unit significantly strengthens a wood jamb against "kick-in" attack and greatly increases the security effectiveness of the lock.

The reinforcer is concealed under the strike and is anchored to the jamb with two 3" (76mm) long screws.

Metal Shield

It should be used for 2 1/8" (54mm) door hole, not for 1 1/2" (38mm)



Finishes

HD CODE	DESCRIPTIONS	US CODE	BHMA
PB	Polished Brass	3	605
SB	Satin Brass	4	606
AB	Antique Brass	5A	610
SBZ	Satin Bronze	10	612
OBZ	Oxidized Bronze, Oil Rubbed	10B	613
AC	Antique Copper	11	616
SN	Satin Nickel Plated	15	619
AN	Antique Nickel Plated	15A	620
EB	Ebony Brass	19	622
PCR	Polished Chromium Plated	26	625
SCR	Satin Chromium Plated	26D	626
SS	Satin Stainless Steel	32D	630
PS	Polished Stainless Steel	32	629

Custom colors available, consult factory. (Specify quantity, functions and US finish.)

How To Order

Hyundai Line	HL
Model	250
Function	DBL
Finish	SCR
Backset	WD / 70
Q'ty	100

Sample :
HL - 250 DBL SCR WD / 70 - 100 sets



Main Factory :

#720, Daecheon-dong, Dalseo-gu, Daegu, Korea.

Tel No. : 82-53-586-9719, 82-53-589-9840~3

Fax No. : 82-53-587-5890

Http:// www.hyundaelock.com

E-mail : hyundaelock@hyundaelock.com